



**TOUCHCENTER KEYPAD
CUSTOM HOME PAGE
IMAGE CONVERTER PROGRAM**

INSTALLATION AND USER GUIDE

The Custom Home Page Image Converter Program allows a user to create a custom home page for their Graphic Keypad using an existing 8 bit or 24 bit image. This program provides the capability to converting the image only. The image to be converted can be from a camera or any photo program that can be used to make or edit 8 bit or 24 bit bmp, jpg, or jpeg images.

Hardware Requirements

To create and install a custom home page, the following hardware requirements apply:

- A computer running Windows XP. NOTE: The Image Converter Program needs Microsoft Framework 1.1 which is part of a normal Windows installation. If it is not on your computer, you will receive a message that it is needed when you run the Image Converter. Framework 1.1 can be obtained and installed by going to downloads on Microsoft.com.
- Computer screen resolution set to 1024x768 or higher.
- 2.7 MB of available space on the computer hard drive.
- A card reader capable of reading and writing a Multimedia Card (MMC) or SanDisk Card (SD).
- A 32 MB to 1 GB MMC/SD card. NOTE: If using a 1GB MMC/SD card, it may come defaulted in a FAT 32 format but it must be formatted as a FAT card. You may reformat the card using the “Formatting an MMC or SD Card” instructions at the end of this document.
- A TouchCenter Keypad using software revision 1.1.3 or higher. NOTE: To check the software revision level of your TouchCenter, from the “Home” screen advance to the “Advanced Setup” menu screen by pressing the following buttons and codes as displayed;
SECURITY > MORE CHOICES > SETUP > ADVANCED SETUP > Enter Authorized Code
Your TouchCenter software revision level is displayed on the right side of the screen.

Installing the Image Converter Program

To install the Image Converter Program onto your computer, proceed as follows:

1. Go to MyWebTech and sign in as you normally do.
2. In the My Product window, enter 6271V, 6271C, or 6271CV and select go. The Image Converter Program is the same for all three products.
3. When the product page is displayed, go to the **Essential Docs** area of the screen, click on “Custom Home Page Software” and follow the instructions presented on the screen.

Creating a Custom Home Page

To create a Custom Home Page, proceed as follows:

NOTE: If you do not have a picture file that you want to use for a Custom Home Page and wish to modify an existing standard home page, you can use any picture editor capable of modifying bmp files and load, modify, and save “wave_color_custom.bmp” (color) or “wave_gray_custom.bmp” (B&W) from directory -- Program Files\Honeywell\Image Converter\TemplateImages.

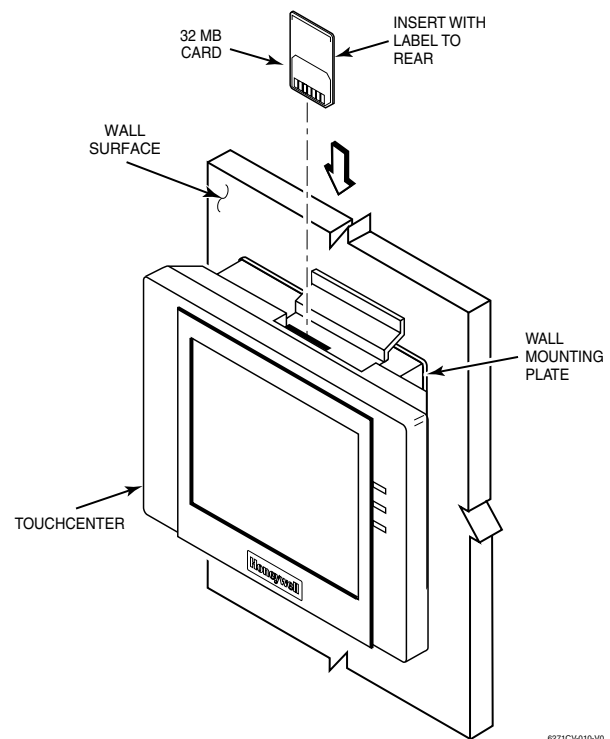
1. Select and open the Image Converter Program on your computer.
2. In the Image Converter Program, click on OPEN.
3. In the Open Window, select the directory that contains your picture that you want to convert into a home page and select the file type (bmp, jpg, jpeg) of that picture.
4. From the directory, click on the picture you want and then click on the OPEN button. The image will be displayed on the Image Converter Screen.
5. Click on the RESIZE arrow at the upper left corner of the screen.
6. Select 320x240 on the Resize drop down list.
7. Click on the COLOR DEPTH arrow at the top of the screen.

8. On the drop down list, select 8 bit for a Color TouchCenter Keypad or 4 Bit B/W for a Black and White TouchCenter Keypad.
9. Click on PREVIEW at the top of the screen. A preview window showing your Custom Home Screen will be displayed and the EXPORT and SAVE AS selections at the right side of the screen will become active.
10. If you wish to keep a copy of the home screen in a picture format, select SAVE AS, assign a name and location where the picture is to be saved, and save the picture. This is an optional step.
11. Select EXPORT on the right side of the screen to format your output files for compatibility with the TouchCenter and then select the drive containing your MMC/SD card.
12. Select SAVE to save the files on your MMC/SD card. When the files have been saved, the Image Converter screen will revert back to the PREVIEW Screen. The program will save four files which are (1) CHome.bin for color screens or BWHome.bin for B&W screens, (2) ProgC.hdr, (3) ProgCV.hdr, and (4) ProgV.hdr.
NOTE: If you would like a backup copy, export the file a second time to your computer hard drive.
13. You can now EXIT the program by selecting EXIT or create more Custom Home Screens by inserting a blank MMC/SD card into your reader and returning to step 2.

Loading Your Custom Home Page Into Your TouchCenter Keypad

To load your Custom Home Page into your TouchCenter Keypad, proceed as follows:

1. Open the door located on the top side of the TouchCenter keypad as shown below.
2. Insert the MMC/SD card that contains your Custom Home Screen into the TouchCenter with the contacts at the bottom and facing the front of the TouchCenter. Press the card in a downward direction until it latches into the slot.

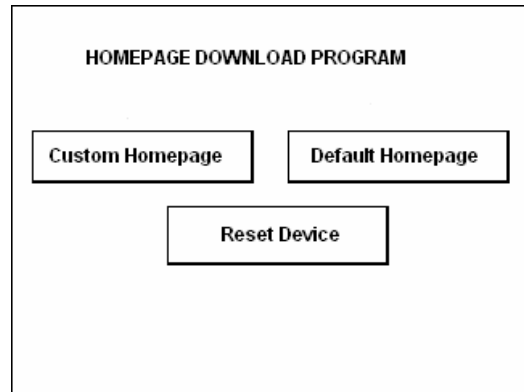


3. From the Home screen, advance to the “Advanced Setup” menu screen by pressing the following buttons and codes as displayed;
SECURITY > MORE CHOICES > SETUP > ADVANCED SETUP > Enter Authorized Code
4. Press the KEYPAD RESET Button. You will be asked if you wish to do a Processor Reset.

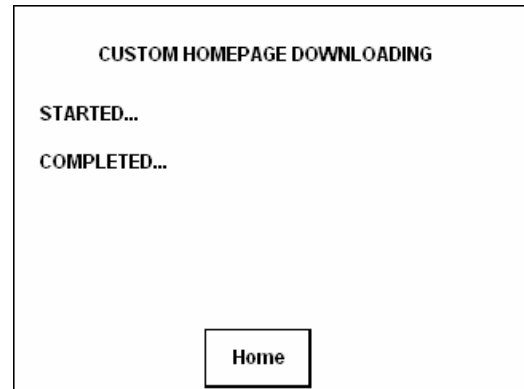
5. Press OK. You will see a message that the “System is Resetting” followed by the HOMEPAGE DOWNLOAD PROGRAM screen.

NOTES:

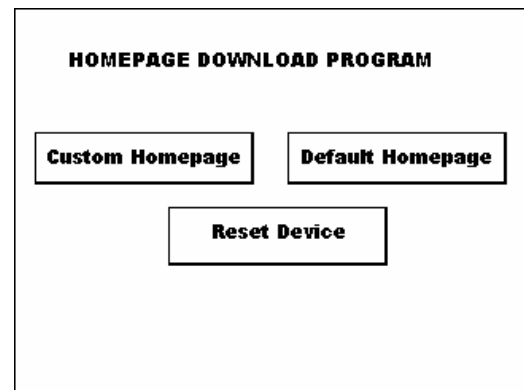
- If the TouchCenter has been programmed for supervised operation, the system will report a trouble during the Custom Screen Installation and Reset process.
- The system will not report alarms during the Custom Screen Installation and Reset process.



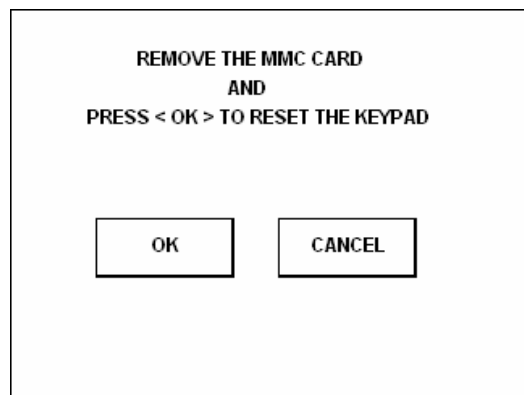
6. To download your Custom Home Page press CUSTOM HOMEPAGE. You will receive a “Started” message followed by a “Completed” message when the MMC/SD card has been read in.



7. Press the HOME button. You will return to the HOMEPAGE DOWNLOAD PROGRAM screen.



8. Press RESET DEVICE. You will receive a message to remove the MMC/SD card.



9. Press the MMC/SD card in a downward direction to unlatch it and remove the MMC/SD card from the TouchCenter.

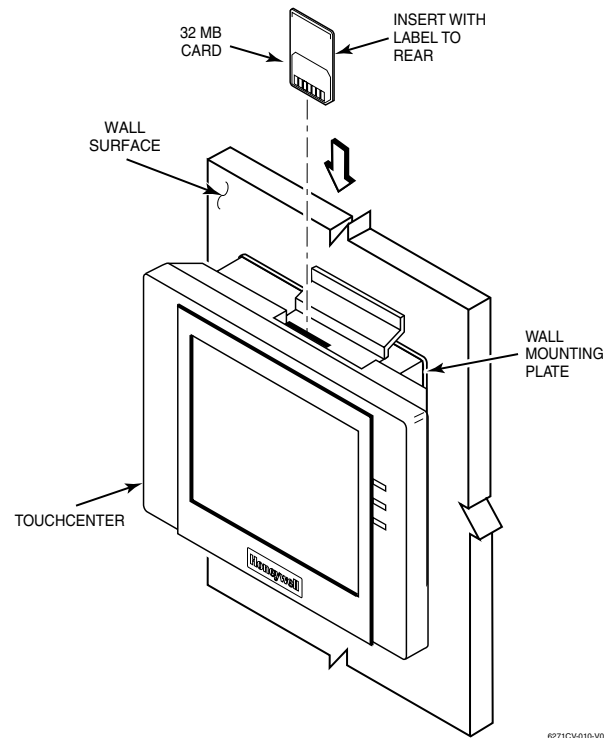
10. Close the door located on the top of the TouchCenter keypad

11. Press the OK button. The TouchCenter will reset and return to the Home screen with your new Home Page displayed.

To Return To The Default Home Page In Your TouchCenter Keypad

To return to the Default Home Page in your TouchCenter Keypad, proceed as follows:

1. Open the door located on the top side of the TouchCenter keypad as shown below.
2. Insert the MMC/SD card that contains your Custom Home Screen into the TouchCenter with the contacts at the bottom and facing the front of the TouchCenter. Press the card in a downward direction until it latches into the slot.

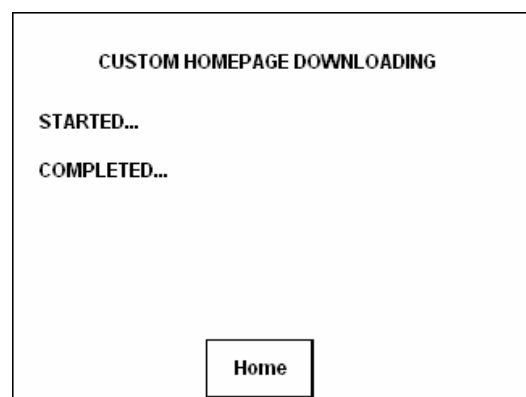
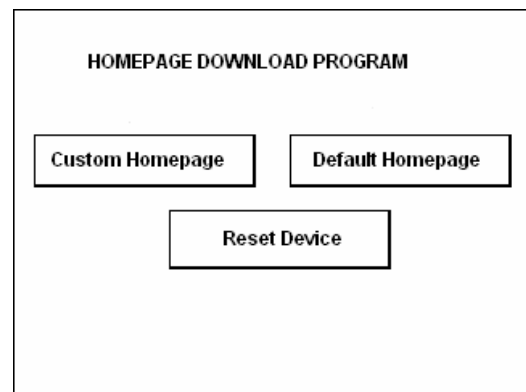


3. From the Home screen, advance to the “Advanced Setup” menu screen by pressing the following buttons and codes as displayed;
SECURITY > MORE CHOICES > SETUP > ADVANCED SETUP > Enter Authorized Code
4. Press the KEYPAD RESET Button. You will be asked if you wish to do a Processor Reset.
5. Press OK. You will see a message that the “System is Resetting” followed by the HOMEPAGE DOWNLOAD PROGRAM screen.

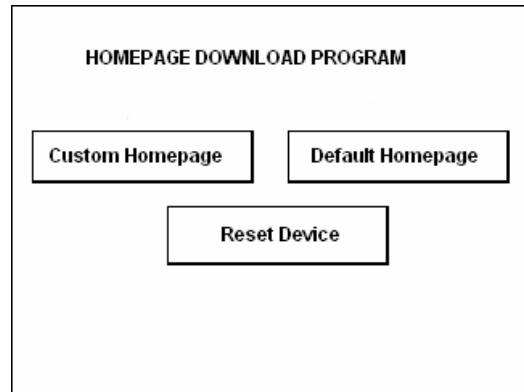
NOTES:

- If the TouchCenter has been programmed for supervised operation, the system will report a trouble during the Custom Screen Installation and Reset process.
- The system will not report alarms during the Custom Screen Installation and Reset process.

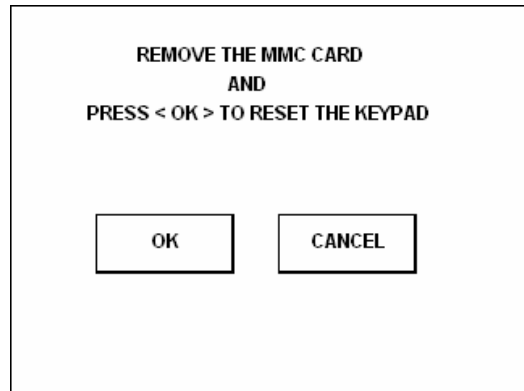
6. To return to your default home page, press DEFAULT HOME PAGE. You will receive a “Started” message followed by a “Completed” message when the default home page has been reloaded.



7. Press the HOME button. You will return to the HOMEPAGE DOWNLOAD PROGRAM screen.



8. Press RESET DEVICE. You will receive a message to remove the MMC/SD card.



9. Press the MMC/SD card in a downward direction to unlatch it and remove the MMC/SD card from the TouchCenter.

10. Close the door located on the top of the TouchCenter keypad

11. Press the OK button. The TouchCenter will reset and return to the Home screen with your Default Home Page displayed.

Formatting an MMC or SD Card

The MMC or SD card must be formatted for FAT and NOT FAT 32 (used on some 1 GB cards). To format an MMC or SD card, proceed as follows:

1. Insert the MMC/SD card into the MMC/SD Card reader slot on the PC.
2. If the MMC/SD card automatically comes up, click on the folder up icon and advance to step 4.
3. If the MMC/SD card doesn't automatically come up, go to My Computer.
4. Look for the removable disk drive (letters will vary with different computers) and right click on it.
5. Left click on the format option and set the File system for FAT, press start and the memory card will begin formatting.
5. Once finished, click OK on the Format complete popup. The card is now ready for use.

Honeywell

2 Corporate Center Drive, Suite 100
P.O. Box 9040
Melville, NY 11747

Copyright © 2007 Honeywell International Inc.

www.security.honeywell.com



K14716 08/07 Rev. A

WWW.DIYALARMFORUM.COM